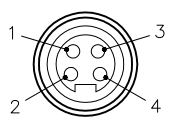
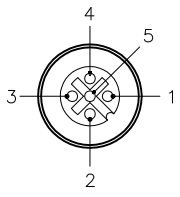


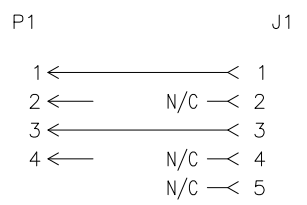
MALE END VIEW



FEMALE END VIEW

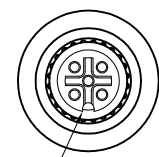
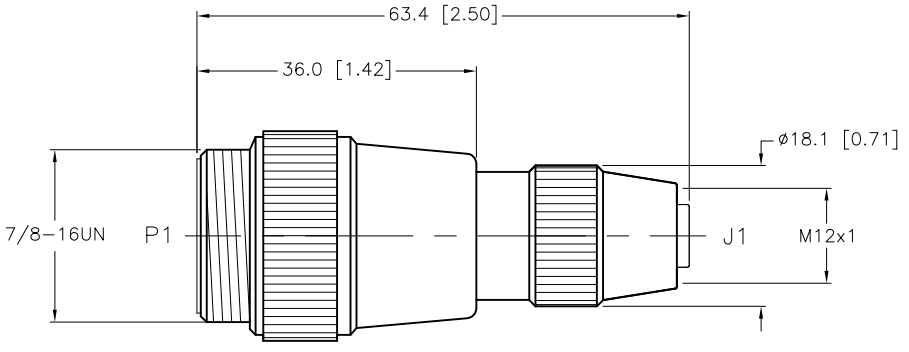
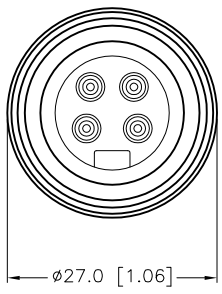


WIRING DIAGRAM



SPECIFICATIONS

CONTACT HOLDER MATERIAL	NYLON OR TPU
CONTACT MATERIAL/PLATING	BRASS/GOLD
COUPLING NUT MATERIAL/PLATING	BRASS/NICKEL
RATED CURRENT [A]	4.0 A
RATED VOLTAGE [V]	250 V
TEMPERATURE RATING	-40°C to +80°C (-40°F to +176°F)
PROTECTION CLASS	MEETS NEMA 1,3,4 IP67



KEYWAYS NOT CRITICAL

SOURCE DRAWING - FOR REFERENCE ONLY

RELATED DOCUMENTS 1. 2. 3. 4.	3RD ANGLE PROJECTION 	THIS DRAWING IS CONFIDENTIAL AND THE PROPERTY OF TURCK INC. USE OF THIS DOCUMENT WITHOUT WRITTEN PERMISSION IS PROHIBITED.		3000 CAMPUS DRIVE MINNEAPOLIS, MN 55441 1-800-544-7769 (763) 553-7300 (763) 553-0708 fax turck.com		
	MATERIAL	ALL DIMENSIONS DISPLAYED ON THIS DRAWING ARE FOR REFERENCE ONLY	DRFT	RDS	DATE	DESCRIPTION RSM 25-FK 4.5
			APVD		04/11/03	
	FINISH	CONTACT TURCK FOR MORE INFORMATION	UNIT OF MEASUREMENT MILLIMETER [INCH]			IDENTIFICATION NO. U0102-25
DO NOT SCALE THIS DRAWING			FILE: U0102-25	SHEET 1 OF 1		

F	UPDATE CONTACT HOLDER MATERIAL	RDS	02/22/12	27902
REV	DESCRIPTION	BY	DATE	ECO NO.